

Dock Impact Barrier-LC™



Figure 1: Dock Impact Barrier-LC

The Dock Impact Barrier-LC™ is a manually-operated gate that complies with the rigorous standards of the Dock Impact Barrier. The LC also reduces overhead clearance requirements by 30" without hindering performance. These attributes make the Dock Impact Barrier-LC a reliable loading dock safety option.



Figure 2: Dock Impact Barrier-LC being raised

Design Highlights

- High-visibility yellow with powder-coated columns and safety striping on the rails
- Stops a 10,000 lb gross load at 4 MPH
- Reduces overhead clearance by 30" compared to standard Dock Impact Barrier
- Compatible with most dock applications
- Minimal maintenance
- Optional interlock capability
- This product carries a (1) year limited warranty with APS Resource

Technical Specifications

Operation	Manual; heavy-duty gas spring allows for easy lift
Available Sizes	8', 9', 10' door capabilities
Security	Comes with foot latch
Industry Standards	42" top rail meets OSHA standard for withstanding 200 lbs of force from any direction
Construction Material	Steel vertical columns
	Aluminum top rail
	Steel with cable bottom rail

Project Information

Job Name _____
 Address _____
 General Contractor _____
 Distributor _____
 Model _____
 Quantity _____

Certified for Construction

By _____
 Company _____
 Address _____
 Date _____



Dock Impact Barrier-LC™

Construction Specifications

- 9/16" diameter heavy-duty steel industrial cable encased in flexible fiberglass rail withstands the impact of up to 10,000 lb gross load at 4 MPH
- Safety foot latch mechanism securely locks rail in place
- Heavy-duty steel side members provide added protection
- High-visibility yellow with powder-coated columns and safety striping on the rails
- (8) 3/4" x 6" anchors included

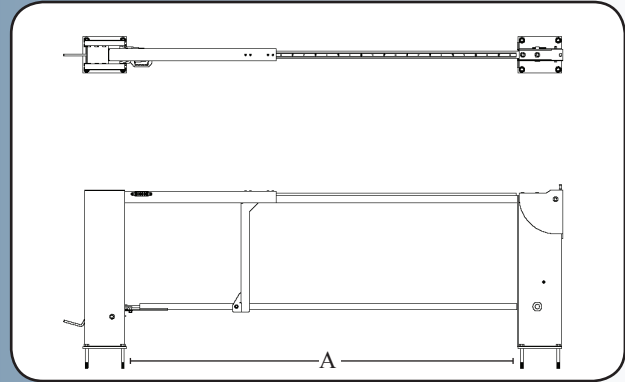


Figure 1: "A" is equal to the length of the barrier (i.e.: 8', 9' or 10')

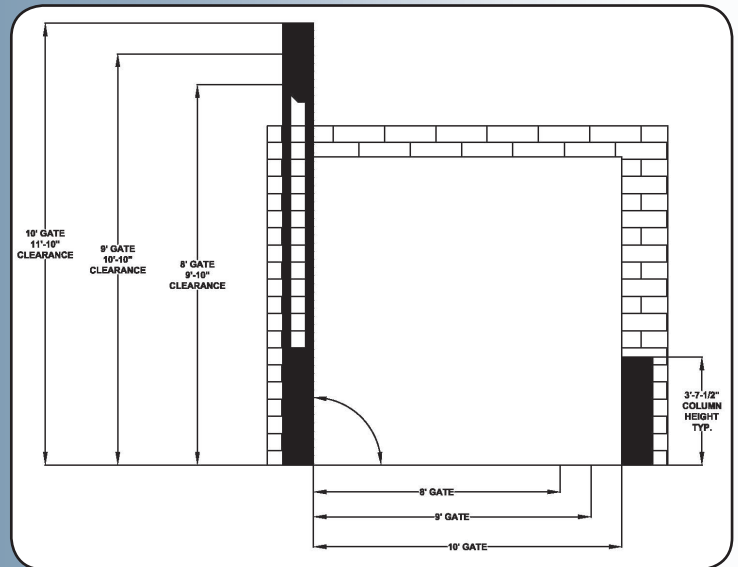


Figure 2: Gate clearance requirements

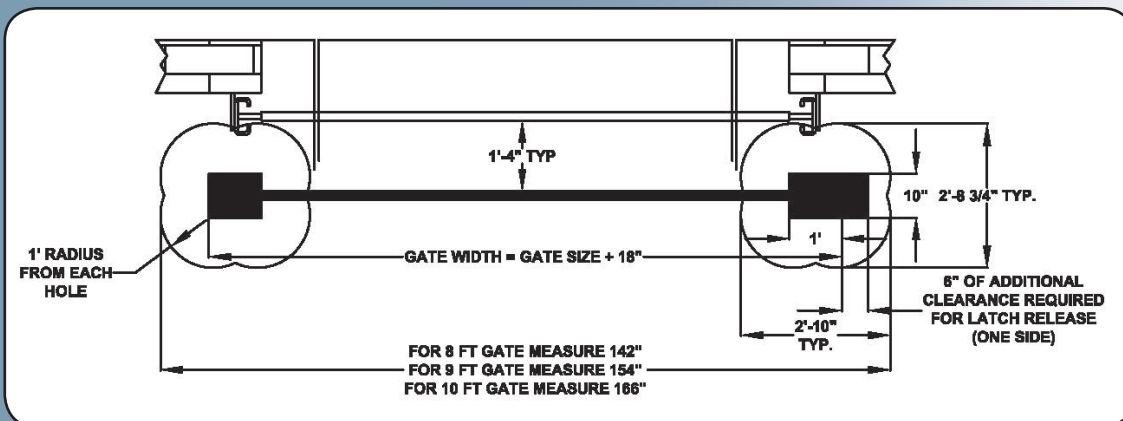


Figure 3: Overhead view