

# Edge Sealr™



Figure 1: Edge Sealr being attached to dock door

Edge Sealr is an energy conscious foam barrier that is attached to the bottom of a dock door. This product is compatible with most door styles and is constructed of 22 oz. durable vinyl. Edge Sealr is an excellent compliment to loading dock weatherseal.



Figure 2: Edge Sealr installation

## Design Highlights

- Effectively seals bottom of dock door
- Comes in two models to accommodate most door styles
- Design for use on standard sectional doors; consult APS Resource for other applications
- This product carries a (1) year limited warranty with APS Resource

## Technical Specifications

Available Sizes	Up to 16' with or without side flaps
	Custom sizes available
Construction Material	Encapsulated 22oz. vinyl (standard)
	Hypalon
	Open cell foam

### Project Information

Job Name \_\_\_\_\_  
 Address \_\_\_\_\_  
 General Contractor \_\_\_\_\_  
 Distributor \_\_\_\_\_  
 Model \_\_\_\_\_  
 Quantity \_\_\_\_\_

### Certified for Construction

By \_\_\_\_\_  
 Company \_\_\_\_\_  
 Address \_\_\_\_\_  
 Date \_\_\_\_\_



# Edge Sealr™

## Door Edge Sealr (side flap)

Description	Est. Weight
Lengths up to 10 ft.	3 lbs
Lengths 10 to 12 ft.	5 lbs
Lengths 12 to 14 ft.	6 lbs
Lengths 14 to 16 ft.	8 lbs
Vinyl standard; Hypalon optional For other size inquiries please call APS Resource	

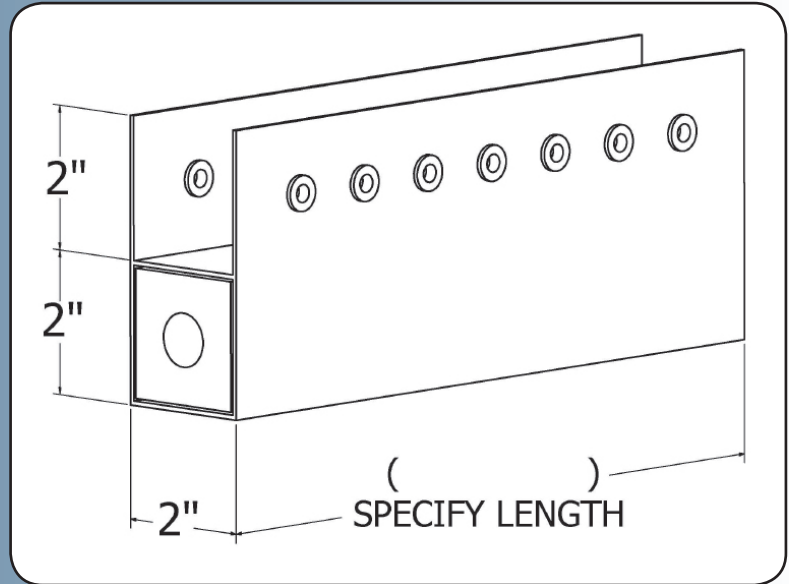


Figure 1: Door Edge Sealr (side flap)

## Door Edge Sealr (center flap)

Description	Est. Weight
Lengths up to 10 ft.	3 lbs
Lengths 10 to 12 ft.	5 lbs
Vinyl standard; Hypalon optional For other size inquiries please call APS Resource	

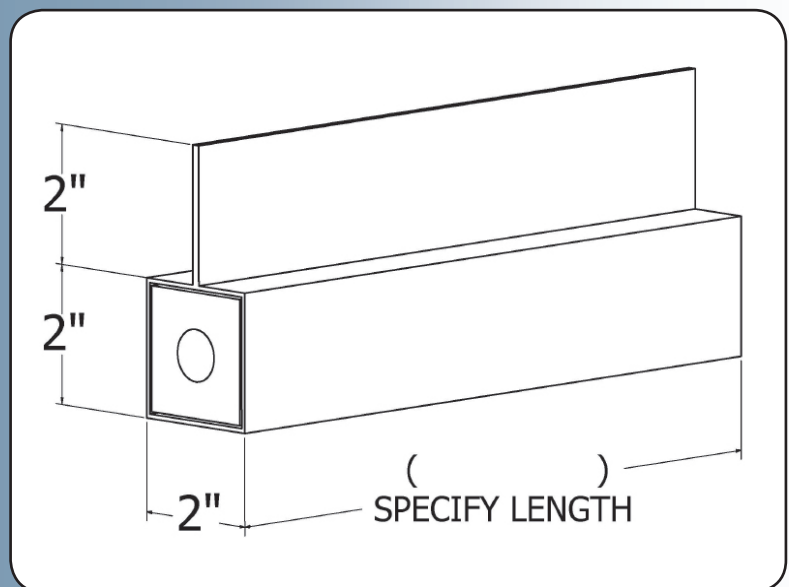


Figure 2: Door Edge Sealr (center flap)