

Wheel Guides

Standard Model



Figure 1: Standard style wheel guide stationed in loading dock area

The heavy-duty wheel guide directs the truck into correct position at your dock. High-visibility safety yellow and rugged construction makes the wheel guide an excellent addition to any loading dock.

Design Highlights

- Heavy-duty pipe style guide with dual mounting plates
- High-visibility safety yellow
- Also comes in a flare-style model (see page 2)
- This product carries a (1) year limited warranty with APS Resource

Technical Specifications

Module Dimensions	6.50" x 3.85" x 1.25"	
Size	Height: 9"	
	Diameter: 4.5"	
	Length	8' (estimated weight of 133 lbs)
12' (estimated weight of 193 lbs)		

Project Information

Job Name _____
 Address _____
 General Contractor _____
 Distributor _____
 Model _____
 Quantity _____

Certified for Construction

By _____
 Company _____
 Address _____
 Date _____



Wheel Guides

Flare Model

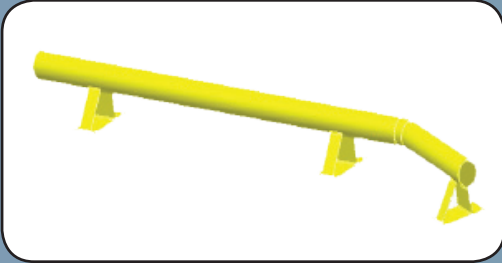


Figure 1: Flare style wheel guide

The heavy-duty wheel guide with flare directs the truck into correct position at your dock. High-visibility safety yellow and rugged construction makes the wheel guide an excellent addition to any loading dock.

Design Highlights

- Heavy-duty pipe style guide with three mounting plates
- High-visibility safety yellow
- This product carries a (1) year limited warranty with APS Resource

Technical Specifications

Module Dimensions	6.50" x 3.85" x 1.25"	
Size	Height: 10 5/8"	
	Diameter: 5 1/2"	
	Length	WGF8: 8'+32" Flare (est. weight of 340 lbs)
WGF9: 9'+32" Flare (est. weight of 375lbs)		
WGF10: 10'+32" Flare (est. weight of 400 lbs)		

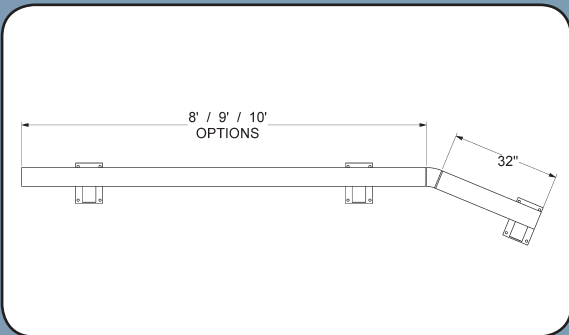


Figure 1: Flare style wheel guide drawing

Project Information

Job Name _____

Address _____

General Contractor _____

Distributor _____

Model _____

Quantity _____

Certified for Construction

By _____

Company _____

Address _____

Date _____